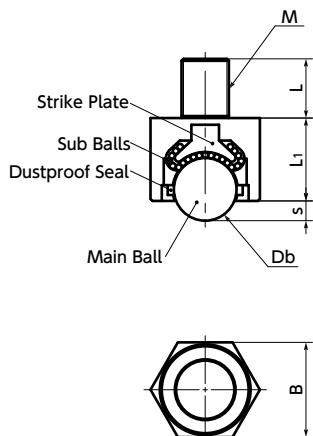




BRDH Downward Ball Rollers - Hex Head Screw Type



- These ball rollers can be used in downward and sideward applications such as with casters of push carts for transport.
- The dustproof seal prevents the ingress of dirt and dust.
- The body, main ball, and sub-balls are made of steel. These rollers have excellent durability.

Application

FPD production equipment, semiconductor devices, food production lines, and packaging lines

Material/Finish



	BRDH
Main Body	S45C Electroless Nickel Plating
Main Ball	SUJ2 (Hardness 55HRC or Higher)
Sub Ball	SUJ2 (Hardness 55HRC or Higher)
Strike Plate	SCM415 (Hardness 50 HRC or Higher)
Dustproof Seal	Felt

Unit : mm

Part Number	M (Coarse)		L	L1	s	Db	B	Withstand Load (N)	Mass (g)
	Nominal of Thread	Pitch							
BRDH-12	M12	1.75	20	21	5	15.88	24	900	92
BRDH-16	M16	2	25	25	6	19.05	30	1100	175
BRDH-20	M20	2.5	30	34	8	25.4	38	1200	375

Part number specification

BRDH-12

Product Code M

Individual Sales → P.xxxx	Cleanroom Wash & Packaging → P.xxxx	Screw Length Adjustment → P.xxxx	Vibration Resistant → P.xxxx
1 piece in 1 pack	Not Available	Not Available	Not Available