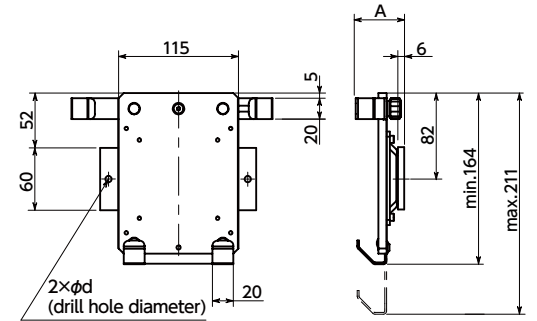
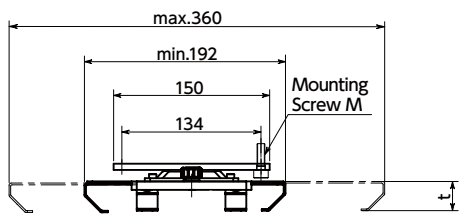
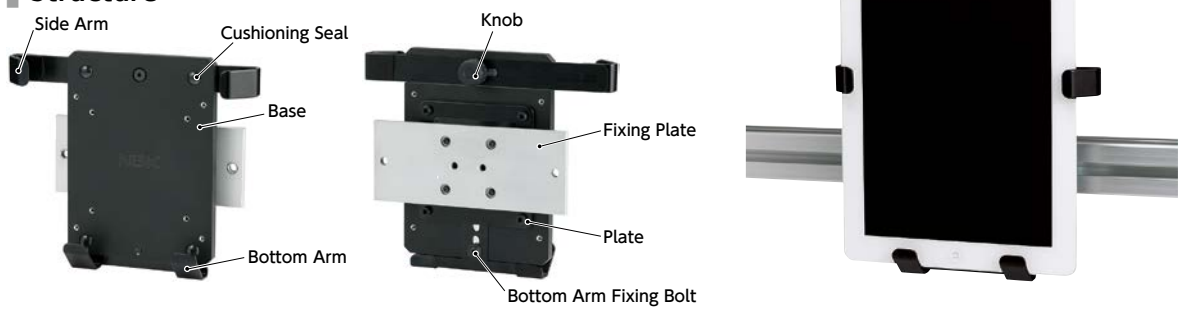


DTAR-AF Tablet PC Holder

Aluminum frame mount
wall/panel Mount

Structure



- A holder for mounting equipment and devices to tablet PCs.
 - Can be mounted on aluminum frames, wall panels and sheet metal.
 - Robust design. It has excellent durability.
 - Tablet PCs between 9 and 12 inches*1 can be mounted by adjusting the side arm and bottom arm.
 - Arm interference with the various tablet PC ports can be avoided by adjusting the side arm and bottom arm position.
 - Select the model number depending on the thickness of the tablet PC to be mounted.
 Tablet PC Thickness
 6 - 13 mm ——— **DTAR-13-330-AF-**-BK**
 13 - 20 mm ——— **DTAR-20-330-AF-**-BK**
 - The nylon coating on the arm tip and the cushioning seal on the base prevent the tablet PC from being scratched.
- *1: 9-inch and 10-inch tablet PCs can only be installed horizontally.

• Application
 Machine tool / Medical equipment / FPD production device / Semiconductor manufacturing device / Packing machine / Food machinery

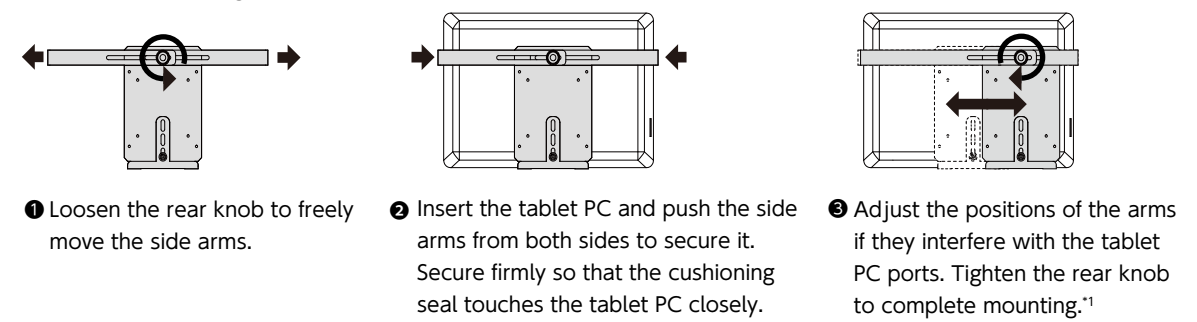
Part Number ◀1	Supports Tablet PCs			M*1				A	t	Max. Load Weight (kg)	Mass (g)
	Thickness min. / max.	Width min. / max.	Height min.	(d) ▶2							
DTAR-13-330-AF-**-BK	6 / 13	190 / 330	155	M4 (5)	M5 (6)	M6 (7)	M8 (9)	47	28	5	1142
DTAR-20-330-AF-**-BK	13 / 20	190 / 330	155	M4 (5)	M5 (6)	M6 (7)	M8 (9)	54	35	5	1149

*1: Mounting screws are not supplied.

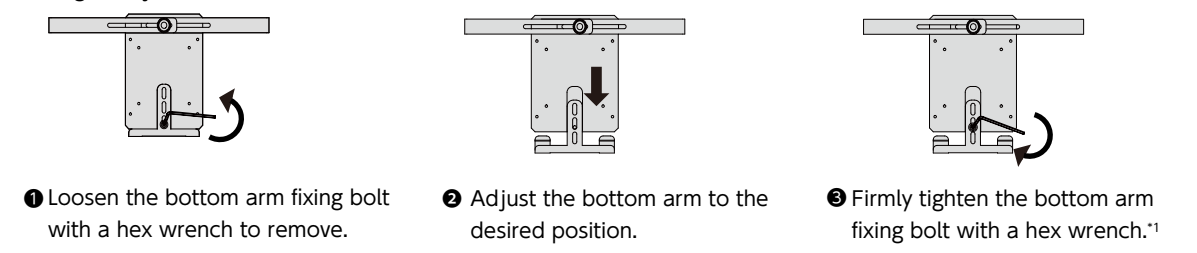
• Material/Finish RoHS

	DTAR-AF
Base	Aluminum Alloy Electrostatic Coating
Side Arm	SPHC Electrostatic Coating
Bottom Arm	Nylon Coating (Tip Only)
Knob	Nylon 6
Knob Thread Part	S45C Trivalent Chromate Treatment
Bottom Arm Fixing Bolt	SCM435 Ferrosferric Oxide Film
Cushioning Seal	Polyurethane
Plate	SPHC Electrostatic Coating
Fixing Plate	SS400 Electrostatic Coating

• Tablet PC Mounting Method



• Height Adjustment Method



*1: The tablet PC may fall out of the holder if not tightened sufficiently.

• Part number specification

DTAR-13-330-AF-M4-BK

1
2
1