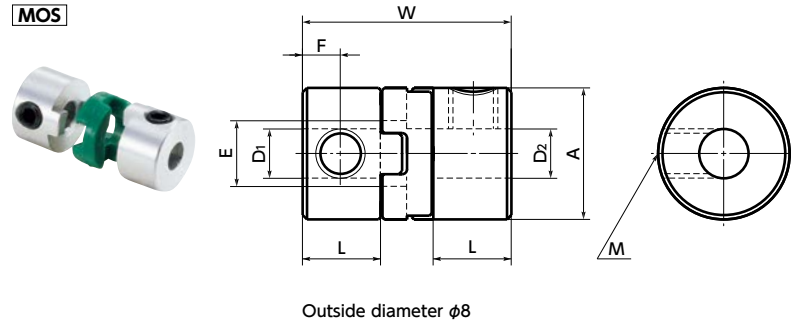


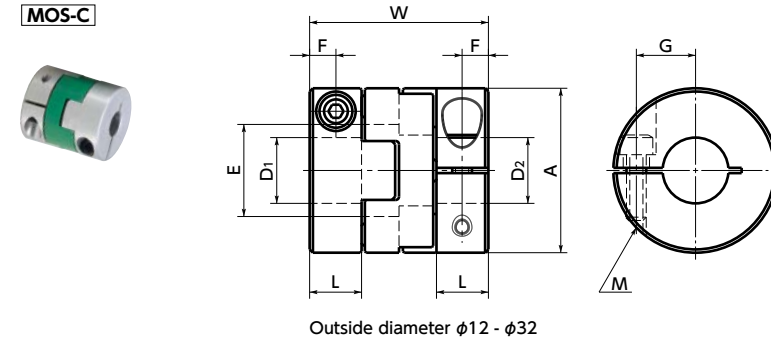
MOS/MOS-C Flexible Couplings - Oldham Type - Set Screw Type / Clamping Type

Electrical Insulation
 High Allowable Misalignment
 Small Eccentric Reaction Force

MOS



MOS-C



Dimensions

Unit : mm

Part Number ¹	A	L	W	E	F	G	M	Screw Tightening Torque (N·m)
MOS-8	8	4.8	12.7	4	2.3		M3	0.7
MOS-12C	12	5	14.9	6	2.5	4	M2	0.5
MOS-16C	16	7	21	8	3.5	5	M2.5	1
MOS-20C	20	7	22.1	10	3.5	6.5	M2.5	1
MOS-25C	25	8	27.2	14	4	9	M3	1.5
MOS-32C	32	10	33.3	18	5	11	M4	2.5

Part Number	Standard Bore Diameter D1/D2 ²														
	1	2	2.5	3	4	5	6	6.35	7	8	10	11	12	14	
MOS-8	●	●	●	●											
MOS-12C				●	●	●									
MOS-16C				●	●	●	●								
MOS-20C					●	●	●	●	●	●					
MOS-25C								●	●	●	●				
MOS-32C										●	●	●	●	●	

- All products are provided with hex socket set screw **MOS-8** or hex socket head cap screw **MOS-C**.
- Tolerance of shaft bore on **MOS-8** is H8.
- Recommended tolerance for shaft diameters is h6 and h7.
- For the shaft insertion amount to the coupling, see Mounting/maintenance.

⚠ Precautions for Use

- In case of mounting on D-cut shaft, be careful about the position of the D-cut surface of the shaft. → P.xxxx
- There are sizes where the hex socket head bolt exceeds the outer diameter of the coupling and the rotating diameter is larger than the outer diameter. Please be careful of the interference of coupling. → P.xxxx

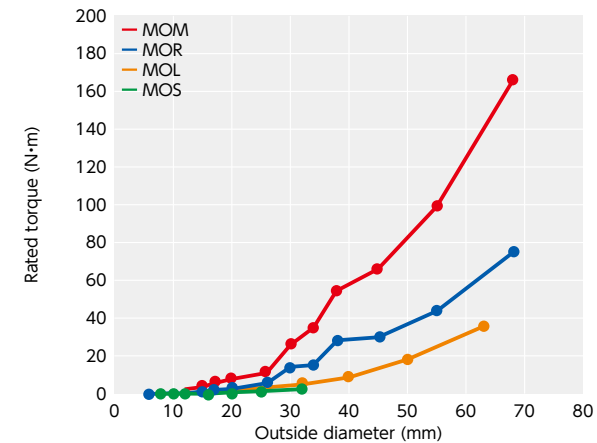
Performance

Part Number	Max. Bore Diameter (mm)	Rated Torque *1 (N·m)	Maximum Torque *1 (N·m)	Max. Rotational Frequency (min ⁻¹)	Moment *2 of Inertia (kg·m ²)	Static Torsional Stiffness (N·m/rad)	Max. Lateral Misalignment (mm)	Max. Angular Misalignment (°)	Mass *3 (g)
MOS-8	3	0.08	0.16	78000	1.2×10 ⁻⁸	2	0.5	2	2
MOS-12C	5	0.2	0.4	52000	7.1×10 ⁻⁸	9	0.6	2	3
MOS-16C	6	0.4	0.8	39000	3.0×10 ⁻⁷	30	1	2	8
MOS-20C	8	0.7	1.4	31000	7.4×10 ⁻⁷	47	1.3	2	13
MOS-25C	10	1.2	2.4	25000	2.2×10 ⁻⁶	85	1.5	2	24
MOS-32C	14	2.8	5.6	19000	7.3×10 ⁻⁶	190	2	2	48

*1 : Values with no load fluctuation and rotation in a single direction. If there is large load fluctuation, or both normal and reverse rotation, select a size with some margin. If ambient temperature exceeds 30°C, be sure to correct the rated torque and max. torque with temperature correction factor shown in the following table. The allowable operating temperature of **MOS** and **MOS-C** is -20°C to 80°C.

*2 : These are values with max. bore diameter.

• Comparison of rated torque



• Ambient Temperature / Temperature Correction Factor

Ambient Temperature	Temperature Correction Factor
-20°C to 30°C	1.00
30°C to 40°C	0.80
40°C to 60°C	0.70
60°C to 80°C	0.55

• Part number specification

MOS-20C-6.35-8 1 Set

MOS-20 - SPCR Single Spacer

Product Code Outside Diameter (Dimension A) Single Spacer

Additional Keyway at Shaft Hole → P.xxxx
 Cleanroom Wash & Packaging → P.xxxx
 Change to Stainless Steel Screw → P.xxxx
 Available / Add'l charge Please feel free to contact us Available / Add'l charge