

\*: Check the A dimension based on the distance from the mounting surface to the top surface of the table and select accordingly.

### Material/Finish



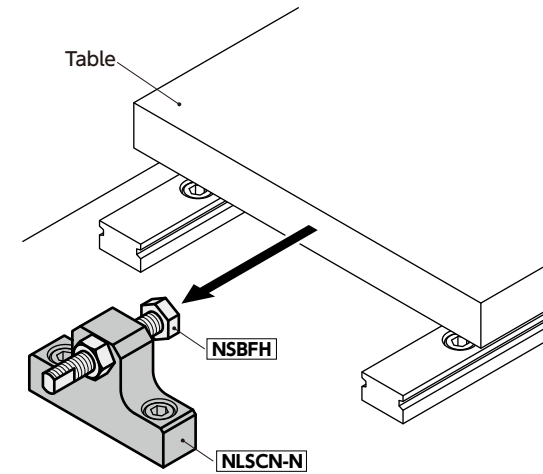
	NLSCN-N
Main Body	SS400 Ferrosoferric Oxide Film (Black)
Hex Socket Head Cap Screw	SCM435 Ferrosoferric Oxide Film (Black)
Knock Pin	SUS303

- Stoppers for linear guides with threaded holes (fine) and knock pin mounting holes machined.
  - In combination with fine screw thread stopper bolts\*1, fine adjustment of the screw-in depth is easy.
  - Knock pins enable easy main body positioning.
  - Supported rail sizes are 15 mm/20 mm/25 mm/30 mm/35 mm.
  - Hex socket head cap screws and knock pins for mounting are provided with all products.
- \*1: Stopper bolts are not provided. The customer is asked to prepare them.

### Application

Table position adjustment  
Table retention and fall prevention  
Stoppers for emergencies

### Usage Example



- Use the lock nut on the opposite side of the side that receives the force.



Part Number	W	H	A	B	J	P	P <sub>1</sub>	T	M (Fine)		D	d	Lc	Hex Socket Head Cap Screw	Knock Pin (Knock Pin Diameter Tolerance m6)	Mass (g)
									Nominal of Thread	Pitch						
NLSCN-01-N	50	30	23.5	12	18	35	18	12	M6	0.75	5.5	4	6	M5×16	φ4×10	84
NLSCN-02-N	50	38	31.5	12	18	35	18	12	M6	0.75	5.5	4	6	M5×16	φ4×10	97.5
NLSCN-03-N	50	43	35.5	12	18	35	18	12	M6	0.75	5.5	4	6	M5×16	φ4×10	105.5
NLSCN-04-N	50	35	27.5	12	20	35	18	12	M8	1.0	5.5	4	6	M5×16	φ4×10	95.4
NLSCN-05-N	50	43	35.5	12	20	35	18	12	M8	1.0	5.5	4	6	M5×16	φ4×10	110.1
NLSCN-06-N	50	45	37.5	12	20	35	18	12	M8	1.0	5.5	4	6	M5×16	φ4×10	113.2
NLSCN-07-N	50	40	32.5	16	20	35	18	16	M8	1.0	6.6	4	6	M6×20	φ4×10	152.3
NLSCN-08-N	50	48	40.5	16	20	35	18	16	M8	1.0	6.6	4	6	M6×20	φ4×10	172
NLSCN-09-N	50	51	43.5	16	20	35	18	16	M8	1.0	6.6	4	6	M6×20	φ4×10	180.1
NLSCN-10-N	65	57	49.5	16	24	45	20	16	M8	1.0	9	5	8	M8×20	φ5×12	246.6
NLSCN-11-N	65	63	55.5	16	24	45	20	16	M8	1.0	9	5	8	M8×20	φ5×12	264.5

Unit : mm

### Related Products

Stopper bolts **NSBFH** are available.

Rounded head type stopper bolts **NSBRH** are available.

Stopper bolts with urethane pad **NSBUH** are available.



### Part Number Specification

**NLSCN-03-N**



Cleanroom Wash & Packaging	Screw Combination	Screw Length Adjustment	Vibration Resistant	Laser Marking
Not Available	Not Available	Not Available	Not Available	Available / Add'l charge