

\*: Check the A dimension based on the distance from the mounting surface to the top surface of the table and select accordingly.

### Material/Finish



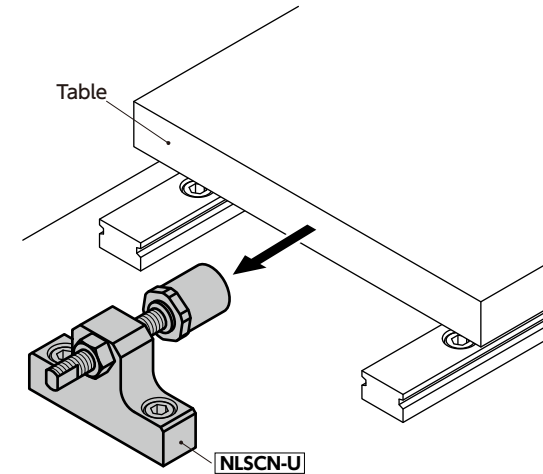
	<b>NLSCN-U</b>
Main Body	SS400 Ferrosferric Oxide Film (Black)
Hex Socket Head Cap Screw	SCM435 Ferrosferric Oxide Film (Black)
Stopper Bolt with Urethane Pad <b>NSBUH</b>	Urethane <b>NSBUH-U</b>
	Stopper Bolt
	Lock Nut
	S45C Electroless Nickel Plating
	SUS304

- Stoppers for linear guides with embedded stopper bolts with urethane pads **NSBUH**.
- Urethane softens the noise of metal hitting metal.
- Stopper bolts are the fine screw thread type, enabling easy fine adjustment of the screw-in depth.
- Supported rail sizes are 15 mm/20 mm/25 mm/30 mm/35 mm.
- Hex socket head cap screws for mounting are provided with all products.

### Application

Softens the noise of metal hitting metal  
Table position adjustment  
Table retention and fall prevention  
Stoppers for emergencies

### Usage Example



- Use the lock nut on the opposite side of the side that receives the force.



Unit : mm

Part Number	W	H	A	B	J	P	T	M (Fine)		D	L	L <sub>2</sub>	Hex Socket Head Cap Screw	Mass (g)
								Nominal of Thread	Pitch					
<b>NLSCN-01-U</b>	50	30	23.5	12	18	35	12	M6	0.75	5.5	58	43	M5×16	102.6
<b>NLSCN-02-U</b>	50	38	31.5	12	18	35	12	M6	0.75	5.5	58	43	M5×16	115.8
<b>NLSCN-03-U</b>	50	43	35.5	12	18	35	12	M6	0.75	5.5	58	43	M5×16	124.5
<b>NLSCN-04-U</b>	50	35	27.5	12	20	35	12	M8	1.0	5.5	68	53	M5×16	124.4
<b>NLSCN-05-U</b>	50	43	35.5	12	20	35	12	M8	1.0	5.5	68	53	M5×16	140
<b>NLSCN-06-U</b>	50	45	37.5	12	20	35	12	M8	1.0	5.5	68	53	M5×16	143.6
<b>NLSCN-07-U</b>	50	40	32.5	16	20	35	16	M8	1.0	6.6	68	53	M6×20	183.7
<b>NLSCN-08-U</b>	50	48	40.5	16	20	35	16	M8	1.0	6.6	68	53	M6×20	202.9
<b>NLSCN-09-U</b>	50	51	43.5	16	20	35	16	M8	1.0	6.6	68	53	M6×20	210.8
<b>NLSCN-10-U</b>	65	57	49.5	16	24	45	16	M8	1.0	9	68	53	M8×20	275.6
<b>NLSCN-11-U</b>	65	63	55.5	16	24	45	16	M8	1.0	9	68	53	M8×20	292.5

### Related Products

Replacement stopper bolts with urethane pad **NSBUH** are available.



Replacement urethane pads **NSBUH-U** are available.



### Part Number Specification

**NLSCN-03-U**



Cleanroom Wash & Packaging	Screw Combination	Screw Length Adjustment	Vibration Resistant	Laser Marking
Not Available	Not Available	Not Available	Not Available	Available / Add'l charge