

*: Check the A dimension based on the distance from the mounting surface to the top surface of the table and select accordingly.

● Material/Finish



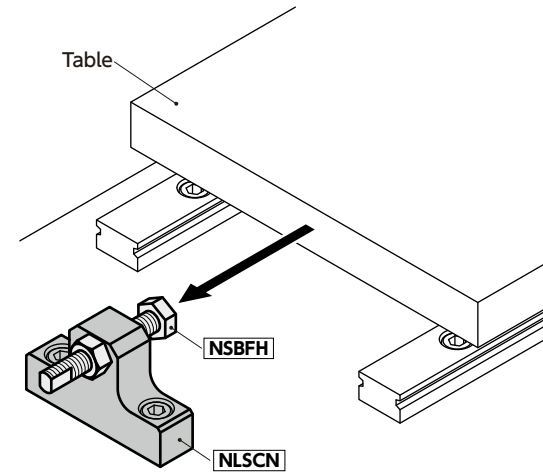
	NLSCN
Main Body	SS400 Ferrosoferric Oxide Film (Black)
Hex Socket Head Cap Screw	SCM435 Ferrosoferric Oxide Film (Black)

- Stoppers for linear guides with threaded holes (fine machined).
 - In combination with fine screw thread stopper bolts*1, fine adjustment of the screw-in depth is easy.
 - Supported rail sizes are 15 mm/20 mm/25 mm/30 mm/35 mm.
 - Hex socket head cap screws for mounting are provided with all products.
- *1: Stopper bolts are not provided. The customer is asked to prepare them.

● Application

Table position adjustment
Table retention and fall prevention
Stoppers for emergencies

● Usage Example



- Use the lock nut on the opposite side of the side that receives the force.



Unit : mm

Part Number	W	H	A	B	J	P	T	M (Fine)		D	Hex Socket Head Cap Screw	Mass (g)
								Nominal of Thread	Pitch			
NLSCN-01	50	30	23.5	12	18	35	12	M6	0.75	5.5	M5×16	84.7
NLSCN-02	50	38	31.5	12	18	35	12	M6	0.75	5.5	M5×16	79.3
NLSCN-03	50	43	35.5	12	18	35	12	M6	0.75	5.5	M5×16	106.1
NLSCN-04	50	35	27.5	12	20	35	12	M8	1.0	5.5	M5×16	95.1
NLSCN-05	50	43	35.5	12	20	35	12	M8	1.0	5.5	M5×16	110.3
NLSCN-06	50	45	37.5	12	20	35	12	M8	1.0	5.5	M5×16	113.3
NLSCN-07	50	40	32.5	16	20	35	16	M8	1.0	6.6	M6×20	152.8
NLSCN-08	50	48	40.5	16	20	35	16	M8	1.0	6.6	M6×20	172.3
NLSCN-09	50	51	43.5	16	20	35	16	M8	1.0	6.6	M6×20	180
NLSCN-10	65	57	49.5	16	24	45	16	M8	1.0	9	M8×20	245.8
NLSCN-11	65	63	55.5	16	24	45	16	M8	1.0	9	M8×20	262.5

● Related Products

Stopper bolts **NSBFH** are available.

Rounded head type stopper bolts **NSBRH** are available.

Stopper bolts with urethane pad **NSBUH** are available.



● Part Number Specification

NLSCN-03



Cleanroom Wash & Packaging	Screw Combination	Screw Length Adjustment	Vibration Resistant	Laser Marking
Not Available	Not Available	Not Available	Not Available	Available / Add'l charge