

\*: Check the A dimension based on the distance from the mounting surface to the top surface of the table and select accordingly.

### Material/Finish



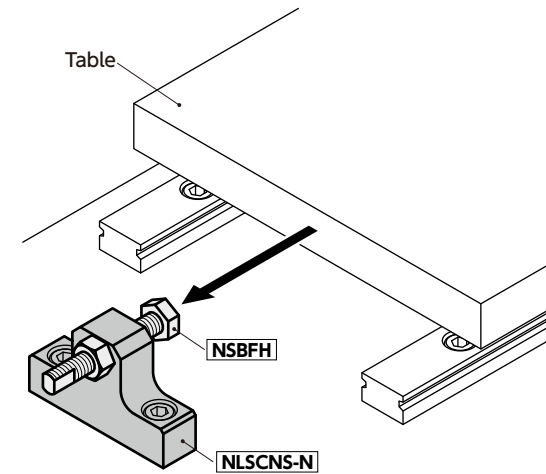
|                           | NLSCNS-N |
|---------------------------|----------|
| Main Body                 | SUS304   |
| Hex Socket Head Cap Screw | SUSXM7   |
| Knock Pin                 | SUS303   |

- Stoppers for linear guides with threaded holes (fine) and knock pin mounting holes machined.
  - In combination with fine screw thread stopper bolts\*1, fine adjustment of the screw-in depth is easy.
  - Knock pins enable easy main body positioning.
  - Made of stainless steel. Suitable for environments where corrosion resistance is required.
  - Supported rail sizes are 15 mm/20 mm/25 mm/30 mm/35 mm.
  - Hex socket head cap screws and knock pins for mounting are provided with all products.
- \*1: Stopper bolts are not provided. The customer is asked to prepare them.

### Application

Table position adjustment  
Table retention and fall prevention  
Stoppers for emergencies

### Usage Example



- Use the lock nut on the opposite side of the side that receives the force.



Unit : mm

| Part Number | W  | H  | A    | B  | J  | P  | P <sub>1</sub> | T  | M (Fine)          |       | D   | d | Lc | Hex Socket Head Cap Screw | Knock Pin (Knock Pin Diameter Tolerance m6) | Mass (g) |
|-------------|----|----|------|----|----|----|----------------|----|-------------------|-------|-----|---|----|---------------------------|---|----------|
|             |    |    |      |    |    |    |                |    | Nominal of Thread | Pitch |     |   |    |                           |   |          |
| NLSCNS-01-N | 50 | 30 | 23.5 | 12 | 18 | 35 | 18             | 12 | M6                | 0.75  | 5.5 | 4 | 6  | M5×16                     | φ4×10                                       | 83.9     |
| NLSCNS-02-N | 50 | 38 | 31.5 | 12 | 18 | 35 | 18             | 12 | M6                | 0.75  | 5.5 | 4 | 6  | M5×16                     | φ4×10                                       | 97.6     |
| NLSCNS-03-N | 50 | 43 | 35.5 | 12 | 18 | 35 | 18             | 12 | M6                | 0.75  | 5.5 | 4 | 6  | M5×16                     | φ4×10                                       | 106.1    |
| NLSCNS-04-N | 50 | 35 | 27.5 | 12 | 20 | 35 | 18             | 12 | M8                | 1.0   | 5.5 | 4 | 6  | M5×16                     | φ4×10                                       | 94.7     |
| NLSCNS-05-N | 50 | 43 | 35.5 | 12 | 20 | 35 | 18             | 12 | M8                | 1.0   | 5.5 | 4 | 6  | M5×16                     | φ4×10                                       | 109.6    |
| NLSCNS-06-N | 50 | 45 | 37.5 | 12 | 20 | 35 | 18             | 12 | M8                | 1.0   | 5.5 | 4 | 6  | M5×16                     | φ4×10                                       | 113.5    |
| NLSCNS-07-N | 50 | 40 | 32.5 | 16 | 20 | 35 | 18             | 16 | M8                | 1.0   | 6.6 | 4 | 6  | M6×20                     | φ4×10                                       | 152.6    |
| NLSCNS-08-N | 50 | 48 | 40.5 | 16 | 20 | 35 | 18             | 16 | M8                | 1.0   | 6.6 | 4 | 6  | M6×20                     | φ4×10                                       | 172.7    |
| NLSCNS-09-N | 50 | 51 | 43.5 | 16 | 20 | 35 | 18             | 16 | M8                | 1.0   | 6.6 | 4 | 6  | M6×20                     | φ4×10                                       | 181.3    |
| NLSCNS-10-N | 65 | 57 | 49.5 | 16 | 24 | 45 | 20             | 16 | M8                | 1.0   | 9   | 5 | 8  | M8×20                     | φ5×12                                       | 247      |
| NLSCNS-11-N | 65 | 63 | 55.5 | 16 | 24 | 45 | 20             | 16 | M8                | 1.0   | 9   | 5 | 8  | M8×20                     | φ5×12                                       | 265.1    |

### Related Products

Stopper bolts **NSBFH** are available.

Rounded head type stopper bolts **NSBRH** are available.

Stopper bolts with urethane pad **NSBUH** are available.



### Part Number Specification

**NLSCNS-03-N**



|                                |                   |                         |                     |                          |
|--------------------------------|-------------------|-------------------------|---------------------|--------------------------|
| Cleanroom Wash & Packaging     | Screw Combination | Screw Length Adjustment | Vibration Resistant | Laser Marking            |
| Please feel free to contact us | Not Available     | Not Available           | Not Available       | Available / Add'l charge |