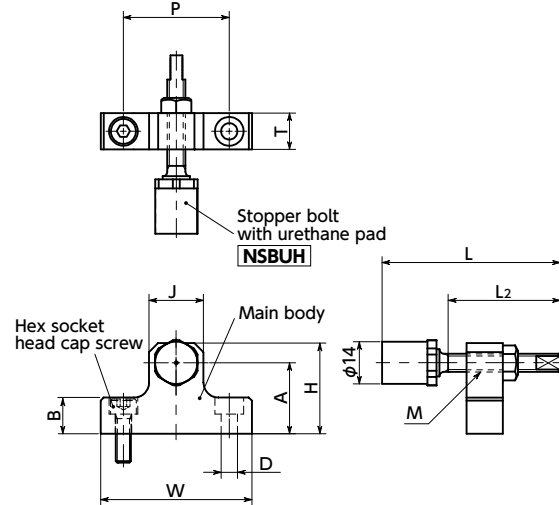


SUS Stainless steel



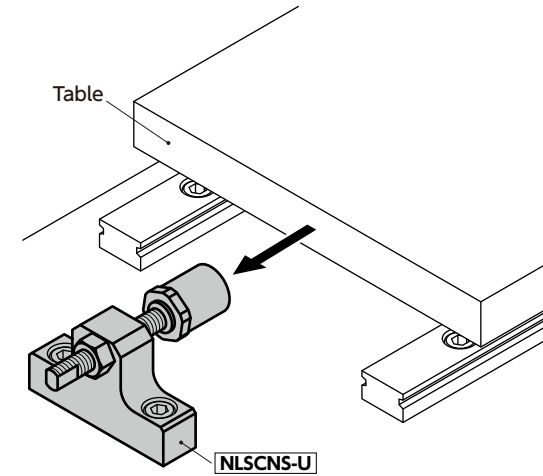
\*: Check the A dimension based on the distance from the mounting surface to the top surface of the table and select accordingly.

- Stoppers for linear guides with embedded stopper bolts with urethane pads **NSBUH**.
- Urethane softens the noise of metal hitting metal.
- Stopper bolts are the fine screw thread type, enabling easy fine adjustment of the screw-in depth.
- Made of stainless steel. Suitable for environments where corrosion resistance is required.
- Supported rail sizes are 15 mm/20 mm/25 mm/30 mm/35 mm.
- Hex socket head cap screws for mounting are provided with all products.

### • Application

Softens the noise of metal hitting metal  
Table position adjustment  
Table retention and fall prevention  
Stoppers for emergencies

### • Usage Example



- Use the lock nut on the opposite side of the side that receives the force.



### • Material/Finish



		NLSCNS-U
Main Body		SUS304
Hex Socket Head Cap Screw		SUSXM7
Stopper Bolt with Urethane Pad <b>NSBUH</b>	Urethane	Urethane (Black) Shore Hardness A90
	Stopper Bolt	S45C Electroless Nickel Plating
	Lock Nut	SUS304

Unit : mm

Part Number	W	H	A	B	J	P	T	M (Fine)		D	L	L2	Hex Socket Head Cap Screw	Mass (g)
								Nominal of Thread	Pitch					
NLSCNS-01-U	50	30	23.5	12	18	35	12	M6	0.75	5.5	58	43	M5×16	102.2
NLSCNS-02-U	50	38	31.5	12	18	35	12	M6	0.75	5.5	58	43	M5×16	116.1
NLSCNS-03-U	50	43	35.5	12	18	35	12	M6	0.75	5.5	58	43	M5×16	124.8
NLSCNS-04-U	50	35	27.5	12	20	35	12	M8	1.0	5.5	68	53	M5×16	124.7
NLSCNS-05-U	50	43	35.5	12	20	35	12	M8	1.0	5.5	68	53	M5×16	139.6
NLSCNS-06-U	50	45	37.5	12	20	35	12	M8	1.0	5.5	68	53	M5×16	143.3
NLSCNS-07-U	50	40	32.5	16	20	35	16	M8	1.0	6.6	68	53	M6×20	182.7
NLSCNS-08-U	50	48	40.5	16	20	35	16	M8	1.0	6.6	68	53	M6×20	202.4
NLSCNS-09-U	50	51	43.5	16	20	35	16	M8	1.0	6.6	68	53	M6×20	210.2
NLSCNS-10-U	65	57	49.5	16	24	45	16	M8	1.0	9	68	53	M8×20	276
NLSCNS-11-U	65	63	55.5	16	24	45	16	M8	1.0	9	68	53	M8×20	291.4

### • Related Products

Replacement stopper bolts with urethane pad **NSBUH** are available.



Replacement urethane pads **NSBUH-U** are available.



### • Part Number Specification

**NLSCNS-03-U**



Cleanroom Wash & Packaging	Screw Combination	Screw Length Adjustment	Vibration Resistant	Laser Marking
Please feel free to contact us	Not Available	Not Available	Not Available	Available / Add'l charge