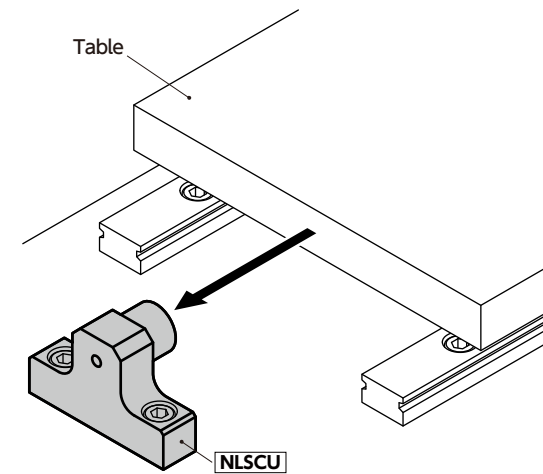


*: Check the A dimension based on the distance from the mounting surface to the top surface of the table and select accordingly.

- Stoppers for linear guides with embedded urethane **NSBU**.
- Urethane softens the noise of metal hitting metal.
- Supported rail sizes are 15 mm/20 mm/25 mm/30 mm/35 mm.
- Hex socket head cap screws for mounting are provided with all products.
- Application
Softens the noise of metal hitting metal
Table retention and fall prevention
Stoppers for emergencies

• Usage Example



• Material/Finish



		NLSCU
Main Body		SS400 Ferrosoferric Oxide Film (Black)
Hex Socket Head Cap Screw		SCM435 Ferrosoferric Oxide Film (Black)
Urethane		Urethane (Black) Shore Hardness A90
Urethane NSBU	Hex Socket Head Cap Screw with Low Profile	S45C Trivalent Chromate Treatment
	Collar	SUS304

Unit : mm

Part Number	W	H	A	B	J	P	T	M (Coarse)		D	D1	L	Hex Socket Head Cap Screw	Mass (g)
								Nominal of Thread	Pitch					
NLSCU-01	50	30	22.5	12	18	35	12	M4	0.7	5.5	15	11	M5×16	88.8
NLSCU-02	50	38	30.5	12	18	35	12	M4	0.7	5.5	15	11	M5×16	102.7
NLSCU-03	50	43	35.5	12	18	35	12	M4	0.7	5.5	15	11	M5×16	111.3
NLSCU-04	50	45	35	12	20	35	12	M5	0.8	5.5	20	13	M5×16	124.2
NLSCU-05	50	40	30	16	20	35	16	M5	0.8	6.6	20	13	M6×20	164
NLSCU-06	50	51	41	16	20	35	16	M5	0.8	6.6	20	13	M6×20	192.2
NLSCU-07	65	57	44.5	16	24	45	16	M5	0.8	9	25	13	M8×20	260.6
NLSCU-08	65	63	50.5	16	24	45	16	M5	0.8	9	25	13	M8×20	279.3

• Related Products

Replacement urethane **NSBU** is available.



• Part Number Specification

NLSCU-03



Cleanroom Wash & Packaging	Screw Combination	Screw Length Adjustment	Vibration Resistant	Laser Marking
Not Available	Not Available	Not Available	Not Available	Available / Add'l charge