

\*: Check the A dimension based on the distance from the mounting surface to the top surface of the table and select accordingly.

- Stoppers for linear guides with embedded urethane **NSBU**.
- Urethane softens the noise of metal hitting metal.
- Made of stainless steel. Suitable for environments where corrosion resistance is required.
- Supported rail sizes are 15 mm/20 mm/25 mm/30 mm/35 mm.
- Hex socket head cap screws for mounting are provided with all products.

• Application

Softens the noise of metal hitting metal  
Table retention and fall prevention  
Stoppers for emergencies

• Material/Finish

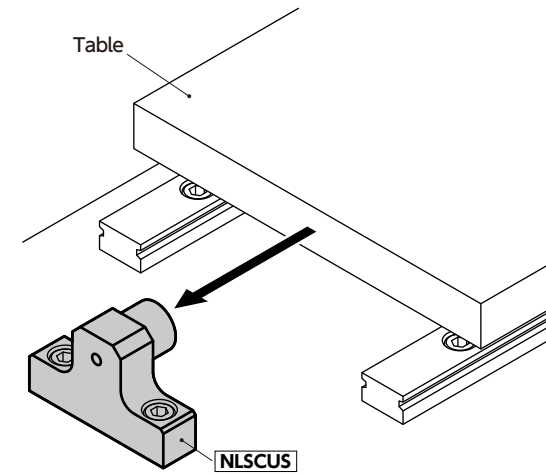


		NLSCUS
Main Body		SUS304
Hex Socket Head Cap Screw		SUSXM7
Urethane <b>NSBU</b>	Urethane	Urethane (Black) Shore Hardness A90
	Hex Socket Head Cap Screw with Low Profile	S45C Trivalent Chromate Treatment
	Collar	SUS304

Unit : mm

Part Number	W	H	A	B	J	P	T	M (Coarse)		D	D1	L	Hex Socket Head Cap Screw	Mass (g)
								Nominal of Thread	Pitch					
NLSCUS-01	50	30	22.5	12	18	35	12	M4	0.7	5.5	15	11	M5×16	89.2
NLSCUS-02	50	38	30.5	12	18	35	12	M4	0.7	5.5	15	11	M5×16	103.1
NLSCUS-03	50	43	35.5	12	18	35	12	M4	0.7	5.5	15	11	M5×16	111.4
NLSCUS-04	50	45	35	12	20	35	12	M5	0.8	5.5	20	13	M5×16	124.2
NLSCUS-05	50	40	30	16	20	35	16	M5	0.8	6.6	20	13	M6×20	164.6
NLSCUS-06	50	51	41	16	20	35	16	M5	0.8	6.6	20	13	M6×20	192.3
NLSCUS-07	65	57	44.5	16	24	45	16	M5	0.8	9	25	13	M8×20	260
NLSCUS-08	65	63	50.5	16	24	45	16	M5	0.8	9	25	13	M8×20	278.9

• Usage Example



• Related Products

Replacement urethane **NSBU** is available.



• Part Number Specification

**NLSCUS-03**



Cleanroom Wash & Packaging	Screw Combination	Screw Length Adjustment	Vibration Resistant	Laser Marking
Please feel free to contact us	Not Available	Not Available	Not Available	Available / Add'l charge