

*: Check the A dimension based on the distance from the mounting surface to the top surface of the table and select accordingly.

Material/Finish



NLSDN-U	
Main Body	SS400 Ferrosoferric Oxide Film (Black)
Hex Socket Head Cap Screw	SCM435 Ferrosoferric Oxide Film (Black)
Stopper Bolt with Urethane Pad NSBUH	Urethane
	Stopper Bolt
	Lock Nut

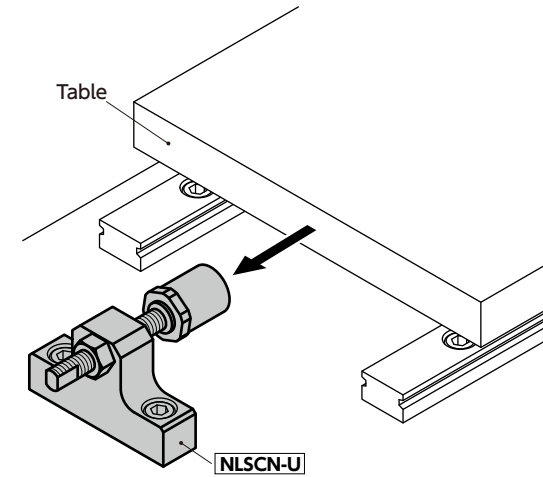
- Stoppers for linear guides with embedded stopper bolts with urethane pads **NSBUH**.
- Urethane softens the noise of metal hitting metal.
- Stopper bolts are the fine screw thread type, enabling easy fine adjustment of the screw-in depth.
- Supported rail sizes are 15 mm/20 mm/25 mm/30 mm/35 mm.
- Hex socket head cap screws for mounting are provided with all products.

Application

Softens the noise of metal hitting metal
Table position adjustment
Table retention and fall prevention
Stoppers for emergencies

Usage Example

Example using **NLSCN-U**



- Use the lock nut on the opposite side of the side that receives the force.



Unit : mm

Part Number	W	H	A	B	E	F	P	T	M (Fine)		D	L	L ₂	Hex Socket Head Cap Screw	Mass (g)
									Nominal of Thread	Pitch					
NLSDN-01-U	32	30	23.5	18	12	12	16	25	M6	0.75	5.5	58	43	M5×12	143.5
NLSDN-02-U	32	38	31.5	18	12	12	16	25	M6	0.75	5.5	58	43	M5×12	167.4
NLSDN-03-U	32	43	35.5	18	12	12	16	25	M6	0.75	5.5	58	43	M5×12	181.8
NLSDN-04-U	32	35	27.5	18	12	12	16	25	M8	1.0	5.5	68	53	M5×12	167.5
NLSDN-05-U	32	43	35.5	18	12	12	16	25	M8	1.0	5.5	68	53	M5×12	191.3
NLSDN-06-U	32	45	37.5	18	12	12	16	25	M8	1.0	5.5	68	53	M5×12	198.4
NLSDN-07-U	32	40	32.5	23	12	12	18	32	M8	1.0	6.6	68	53	M6×12	202.8
NLSDN-08-U	32	50	40.5	23	12	12	18	32	M8	1.0	6.6	68	53	M6×12	233.8
NLSDN-09-U	32	50	43.5	23	12	12	18	32	M8	1.0	6.6	68	53	M6×12	233.5
NLSDN-10-U	38	57	49.5	28	16	16	20	38	M8	1.0	9	68	53	M8×16	395
NLSDN-11-U	45	63	55.5	31	16	16	25	45	M8	1.0	9	68	53	M8×16	537.6

Related Products

Replacement stopper bolts with urethane pad **NSBUH** are available.



Replacement urethane pads **NSBUH-U** are available.



Part Number Specification

NLSDN-03-U



Cleanroom Wash & Packaging	Screw Combination	Screw Length Adjustment	Vibration Resistant	Laser Marking
Not Available	Not Available	Not Available	Not Available	Available / Add'l charge