

\*: Check the A dimension based on the distance from the mounting surface to the top surface of the table and select accordingly.

● Material/Finish



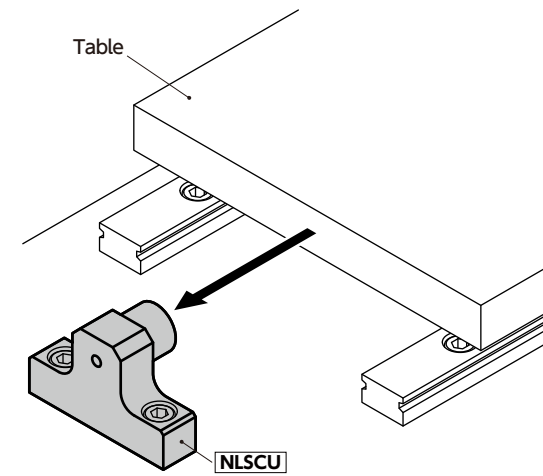
		NLSDU
Main Body		S5400 Ferroferric Oxide Film (Black)
Hex Socket Head Cap Screw		SCM435 Ferroferric Oxide Film (Black)
Urethane		Urethane (Black) Shore Hardness A90
Urethane NSBU	Hex Socket Head Cap Screw with Low Profile	S45C Trivalent Chromate Treatment
	Collar	SUS304

- Stoppers for linear guides with embedded urethane **NSBU**.
- Urethane softens the noise of metal hitting metal.
- Supported rail sizes are 15 mm/20 mm/25 mm/30 mm/35 mm.
- Hex socket head cap screws for mounting are provided with all products.
- Application

Softens the noise of metal hitting metal  
Table retention and fall prevention  
Stoppers for emergencies

● Usage Example

Example using **NLSCU**



Unit : mm

Part Number	W	H	A	B	E	F	P	T	M (Coarse)		D	D1	L	Hex Socket Head Cap Screw	Mass (g)
									Nominal of Thread	Pitch					
NLSDU-01	32	30	22.5	18	12	12	16	25	M4	0.7	5.5	15	11	M5×12	129.7
NLSDU-02	32	38	30.5	18	12	12	16	25	M4	0.7	5.5	15	11	M5×12	153.7
NLSDU-03	32	45	35	18	12	12	16	25	M5	0.8	5.5	20	13	M5×12	178.6
NLSDU-04	32	50	40	23	12	12	18	32	M5	0.8	6.6	20	13	M6×12	214.4
NLSDU-05	38	57	44.5	28	16	16	20	38	M5	0.8	9	25	13	M8×16	379.3
NLSDU-06	45	63	50.5	31	16	16	25	45	M5	0.8	9	25	13	M8×16	522.2

Cleanroom Wash & Packaging	Screw Combination	Screw Length Adjustment	Vibration Resistant	Laser Marking
Not Available	Not Available	Not Available	Not Available	Available / Add'l charge

● Related Products

Replacement urethane **NSBU** is available.



● Part Number Specification

**NLSDU-03**

