

*: Check the A dimension based on the distance from the mounting surface to the top surface of the table and select accordingly.

● Material/Finish



		NLSEU
Main Body		SS400 Ferrosferric Oxide Film (Black)
Hex Socket Head Cap Screw		SCM435 Ferrosferric Oxide Film (Black)
Urethane NSBU	Urethane	Urethane (Black) Shore Hardness A90
	Hex Socket Head Cap Screw with Low Profile	S45C Trivalent Chromate Treatment
	Collar	SUS304

Unit : mm

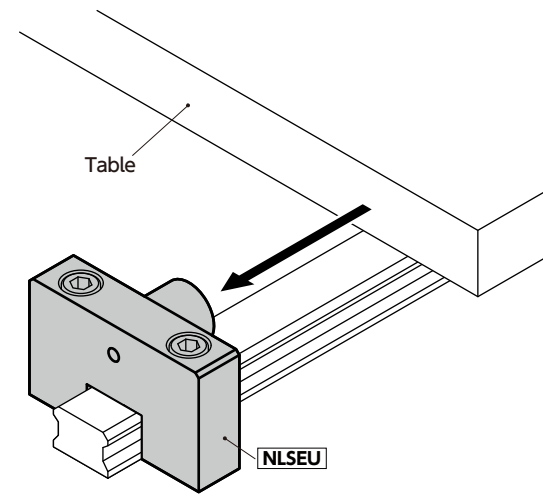
Part Number	W	H	A	S1	S2	P	T	M (Coarse)		D	D1	L	Hex Socket Head Cap Screw	Mass (g)
								Nominal of Thread	Pitch					
NLSEU-01	50	30	22.5	16	11	32	12	M4	0.7	5.5	15	11	M5×35	125
NLSEU-02	50	38	30.5	16	16	32	12	M4	0.7	5.5	15	11	M5×40	153.7
NLSEU-03	50	43	35.5	16	16	32	12	M4	0.7	5.5	15	11	M5×45	176.8
NLSEU-04	50	35	25	21	12	32	12	M5	0.8	5.5	20	13	M5×40	145.3
NLSEU-05	50	45	35	21	19	32	12	M5	0.8	5.5	20	13	M5×50	177.2
NLSEU-06	50	40	30	24	16	36	16	M5	0.8	6.6	20	13	M6×45	203.3
NLSEU-07	50	50	40	24	23	36	16	M5	0.8	6.6	20	13	M6×55	244.8
NLSEU-08	65	57	44.5	29	27	45	16	M5	0.8	9	25	13	M8×60	358.8
NLSEU-09	75	65	52.5	35	30	55	16	M5	0.8	9	25	13	M8×70	470.2

- Gate type stoppers for linear guides with embedded urethane **NSBU**. Mountable from rail top.
- Urethane softens the noise of metal hitting metal.
- Supported rail sizes are 15 mm/20 mm/25 mm/30 mm/35 mm.
- Hex socket head cap screws for mounting are provided with all products.

● Application

Softens the noise of metal hitting metal
Table retention and fall prevention
Stoppers for emergencies

● Usage Example



● Related Products

Replacement urethane **NSBU** is available.



● Part Number Specification

NLSEU-03



Cleanroom Wash & Packaging	Screw Combination	Screw Length Adjustment	Vibration Resistant	Laser Marking
Not Available	Not Available	Not Available	Not Available	Available / Add'l charge