

\*: Check the A dimension based on the distance from the mounting surface to the top surface of the table and select accordingly.

● Material/Finish



		NLSEUS
Main Body		SUS304
Hex Socket Head Cap Screw		SUSXM7
Urethane NSBU	Urethane	Urethane (Black) Shore Hardness A90
	Hex Socket Head Cap Screw with Low Profile	S45C Trivalent Chromate Treatment
	Collar	SUS304

Unit : mm

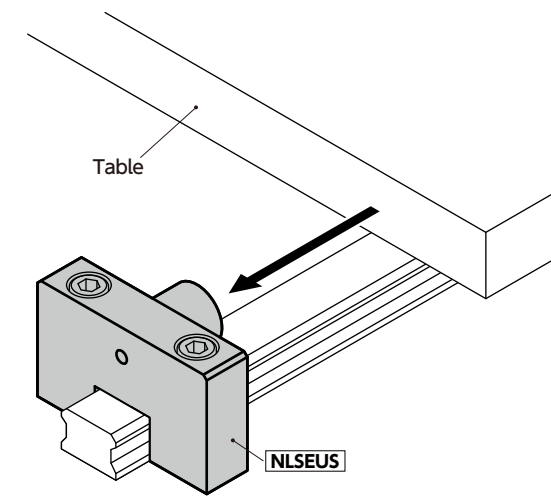
Part Number	W	H	A	S1	S2	P	T	M (Coarse)		D	D1	L	Hex Socket Head Cap Screw	Mass (g)
								Nominal of Thread	Pitch					
NLSEUS-01	50	30	22.5	16	11	32	12	M4	0.7	5.5	15	11	M5×35	124
NLSEUS-02	50	38	30.5	16	16	32	12	M4	0.7	5.5	15	11	M5×40	153.6
NLSEUS-03	50	43	35.5	16	16	32	12	M4	0.7	5.5	15	11	M5×45	176.2
NLSEUS-04	50	35	25	21	12	32	12	M5	0.8	5.5	20	13	M5×40	144.2
NLSEUS-05	50	45	35	21	19	32	12	M5	0.8	5.5	20	13	M5×50	176.7
NLSEUS-06	50	40	30	24	16	36	16	M5	0.8	6.6	20	13	M6×45	202.6
NLSEUS-07	50	50	40	24	23	36	16	M5	0.8	6.6	20	13	M6×55	241.7
NLSEUS-08	65	57	44.5	29	27	45	16	M5	0.8	9	25	13	M8×60	356.5
NLSEUS-09	75	65	52.5	35	30	55	16	M5	0.8	9	25	13	M8×70	473.9

- Gate type stoppers for linear guides with embedded urethane **NSBU**. Mountable from rail top.
- Urethane softens the noise of metal hitting metal.
- Made of stainless steel. Suitable for environments where corrosion resistance is required.
- Supported rail sizes are 15 mm/20 mm/25 mm/30 mm/35 mm.
- Hex socket head cap screws for mounting are provided with all products.

● Application

Softens the noise of metal hitting metal  
Table retention and fall prevention  
Stoppers for emergencies

● Usage Example



Cleanroom Wash & Packaging	Screw Combination	Screw Length Adjustment	Vibration Resistant	Laser Marking
Please feel free to contact us	Not Available	Not Available	Not Available	Available / Add'l charge

● Related Products

Replacement urethane **NSBU** is available.



● Part Number Specification

**NLSEUS-03**

