

*1: Use the lock nut on the opposite side of the side that receives the force. For **NLSPN-01-U** alone, in order to avoid interference with the main body, mount the lock nut on the side that receives the force.

● Material/Finish



		NLSPN-U
Main Body		S25C Ferrosoferric Oxide Film (Black)
Hex Socket Head Cap Screw		SCM435 Ferrosoferric Oxide Film (Black)
Stopper Bolt with Urethane Pad	Urethane	Urethane (Black) Shore Hardness A90
	Stopper Bolt	S45C Electroless Nickel Plating
Lock Nut		SUS304

- Compact type stoppers for linear guides with embedded stopper bolts with urethane pads **NSBUH**. For space-saving of equipment/devices and applications with limited space.
- Urethane softens the noise of metal hitting metal.
- Stopper bolts are the fine screw thread type, enabling easy fine adjustment of the screw-in depth.
- Hex socket head cap screws for mounting are provided with all products.

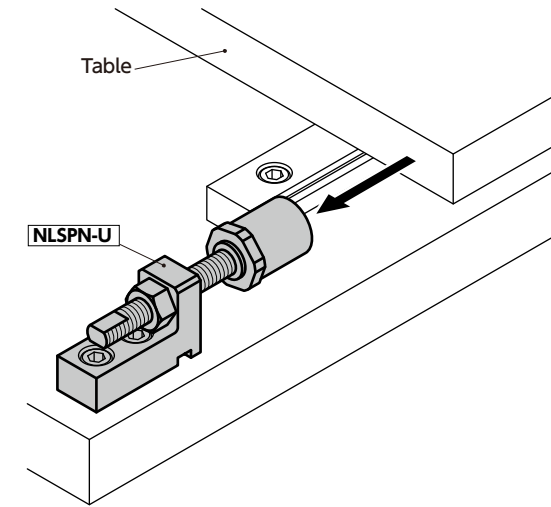
● Application

Softens the noise of metal hitting metal
Table position adjustment
Table retention and fall prevention
Stoppers for emergencies

Unit : mm

Part Number	W	H	A	B	E	F	G	C	S	P	T	M (Fine)		D	L	Hex Socket Head Cap Screw	Mass (g)
												Nominal of Thread	Pitch				
NLSPN-01-U	12	20	14	2	7	9	4	5	14	12	32	M6	0.75	4.5	58	M4×12	50.5
NLSPN-02-U	14	23	16	2	8	10	4	5	16	15	38	M6	0.75	5.5	58	M5×12	69
NLSPN-03-U	16	27	20	2.5	11	12	5	8	19	17	44	M6	0.75	6.6	68	M6×12	100.3
NLSPN-04-U	22	34	26	2.5	13	16	5	8	25	22	57	M8	1.0	9	68	M8×16	216.3

● Usage Example



- Use the lock nut on the opposite side of the side that receives the force. For **NLSPN-01-U** alone, in order to avoid interference with the main body, mount the lock nut on the side that receives the force.



● Related Products

Replacement stopper bolts with urethane pad **NSBUH** are available.



Replacement urethane pads **NSBUH-U** are available.



● Part Number Specification

NLSPN-03-U



Cleanroom Wash & Packaging	Screw Combination	Screw Length Adjustment	Vibration Resistant	Laser Marking
Not Available	Not Available	Not Available	Not Available	Available / Add'l charge