

*1: Use the lock nut on the opposite side of the side that receives the force. For **NLSPNS-01-U** alone, in order to avoid interference with the main body, mount the lock nut on the side that receives the force.

● Material/Finish



NLSPNS-U	
Main Body	SCS13
Hex Socket Head Cap Screw	SUSXM7
Stopper Bolt with Urethane Pad	Urethane (Black) Shore Hardness A90
NSBUH	'Stopper Bolt' S45C Electroless Nickel Plating
	Lock Nut SUS304

- Compact type stoppers for linear guides with embedded stopper bolts with urethane pads **NSBUH**. For space-saving of equipment/devices and applications with limited space.
- Urethane softens the noise of metal hitting metal.
- Stopper bolts are the fine screw thread type, enabling easy fine adjustment of the screw-in depth.
- Made of stainless steel. Suitable for environments where corrosion resistance is required.
- Hex socket head cap screws for mounting are provided with all products.

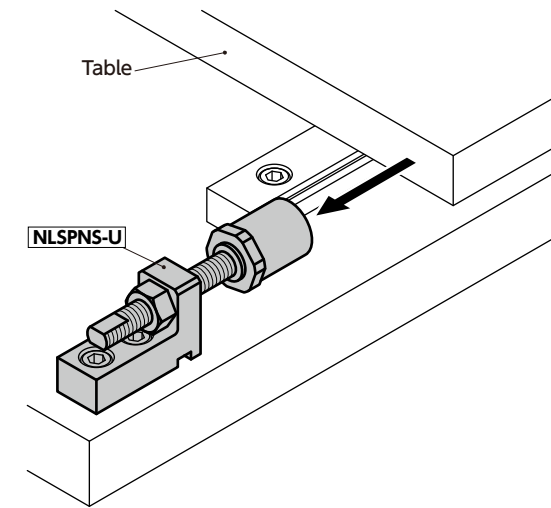
● Application

Softens the noise of metal hitting metal
Table position adjustment
Table retention and fall prevention
Stoppers for emergencies

Unit : mm

Part Number	W	H	A	B	E	F	G	C	S	P	T	M (Fine)		D	L	Hex Socket Head Cap Screw	Mass (g)
												Nominal of Thread	Pitch				
NLSPNS-01-U	12	20	14	2	7	9	4	5	14	12	32	M6	0.75	4.5	58	M4×12	50.8
NLSPNS-02-U	14	23	16	2	8	10	4	5	16	15	38	M6	0.75	5.5	58	M5×12	68.4
NLSPNS-03-U	16	27	20	2.5	11	12	5	8	19	17	44	M6	0.75	6.6	58	M6×12	100.2

● Usage Example



- Use the lock nut on the opposite side of the side that receives the force. For **NLSPNS-01-U** alone, in order to avoid interference with the main body, mount the lock nut on the side that receives the force.



● Related Products

Replacement stopper bolts with urethane pad **NSBUH** are available.



Replacement urethane pads **NSBUH-U** are available.



● Part Number Specification

NLSPNS-03-U



Cleanroom Wash & Packaging	Screw Combination	Screw Length Adjustment	Vibration Resistant	Laser Marking
Please feel free to contact us	Not Available	Not Available	Not Available	Available / Add'l charge