

● Material/Finish



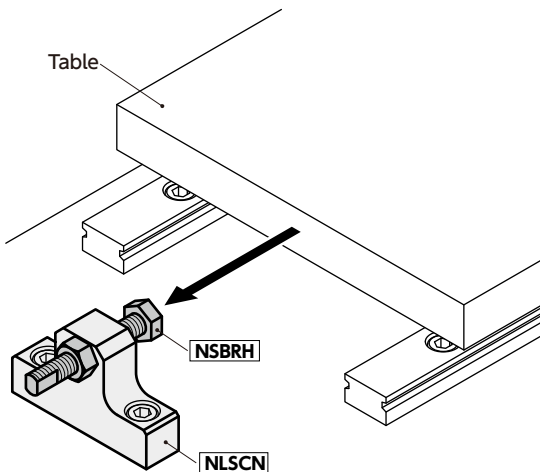
NSBRH	
Main Body	S45C Sphere Part Quenching (Hardness: 35 HRC or Above) Electroless Nickel Plating
Lock Nut	SUS304

- Fine screw thread stopper bolts with spherical hex heads. Fine adjustment of the screw-in depth is easy.
- The spherical part has been quenched. It has excellent wear resistance.
- All products are provided with a lock nut.
- Use in combination with the Stoppers for Linear Guides for Positioning series is possible.

Unit : mm

Part Number	M (Fine)		L	H	K	S	SR	F	E	T	Mass (g)
	Nominal of Thread	Pitch									
<b>NSBRH-6-40</b>	M6	0.75	40	4	4	10	10	8	11.5	5	12.6
<b>NSBRH-6-50</b>	M6	0.75	50	4	4	10	10	8	11.5	5	13.9
<b>NSBRH-6-60</b>	M6	0.75	60	4	4	10	10	8	11.5	5	16.3
<b>NSBRH-8-40</b>	M8	1.0	40	5.5	5.5	13	12	10	15	6.5	23.4
<b>NSBRH-8-50</b>	M8	1.0	50	5.5	5.5	13	12	10	15	6.5	26.1
<b>NSBRH-8-60</b>	M8	1.0	60	5.5	5.5	13	12	10	15	6.5	29.6

● Usage Example



- Use the lock nut on the opposite side of the side that receives the force.

● Part Number Specification

**NSBRH-8-50**



Cleanroom Wash & Packaging	Screw Combination	Screw Length Adjustment	Vibration Resistant	Laser Marking
Not Available	Not Available	Not Available	Not Available	Not Available