

● Material/Finish



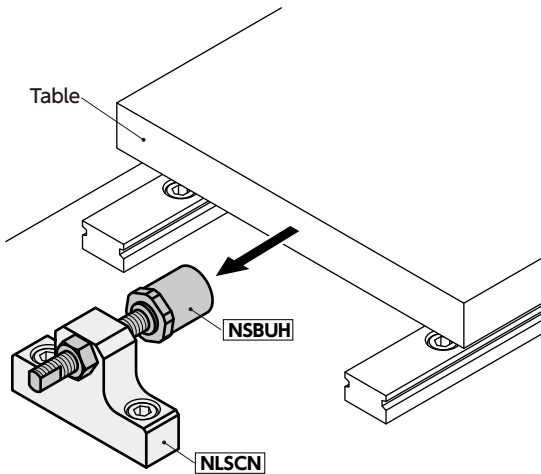
	NSBUH
Main Body	S45C Electroless Nickel Plating
Urethane NSBUH-U	Urethane (Black) Shore Hardness A90
Lock Nut	SUS304

- Fine screw thread stopper bolts with urethane pads on the head. Fine adjustment of the screw-in depth is easy.
- Urethane softens the noise of metal hitting metal.
- All products are provided with a lock nut.
- Use in combination with the Stoppers for Linear Guides for Positioning series is possible.

Unit : mm

Part Number	M (Fine)		H	L	L1	L2	S1	E	T	Mass (g)
	Nominal of Thread	Pitch								
NSBUH-6	M6	0.75	4	58	43	36.5	10	11.5	5	19.7
NSBUH-8	M8	1.0	6	68	53	47.5	13	15	6.5	31.1

● Usage Example



- Use the lock nut on the opposite side of the side that receives the force.

● Related Products

Replacement urethane pads **NSBUH-U** are available.



● Part Number Specification

NSBUH-6



Cleanroom Wash & Packaging	Screw Combination	Screw Length Adjustment	Vibration Resistant	Laser Marking
Not Available	Not Available	Not Available	Not Available	Not Available