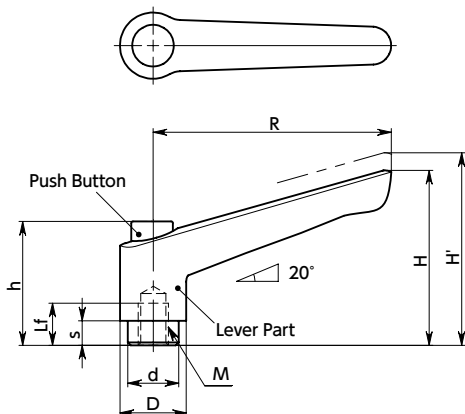


# LEF-C / LEFS-C Plastic Clamp Levers, Female Screw - with Push Button



SUS Stainless steel



LEFS-OR-CBK

LEF-SG-COR



LEFS-BK-CSG

## Material/Finish



	LEF-C	LEFS-C
Lever Part	Nylon 6 (Various Color)	Nylon 6 (Various Color)
Thread Part	SUM22L Ferrosferric Oxide Film (Black)	SUS303
Push Button	Nylon 6 (Various Color)	Nylon 6 (Various Color)
Serration Ring (Insert)	Zinc Die Cast	Zinc Die Cast
Spring	Stainless Steel Wire or SWPB	Stainless Steel Wire

## Part number specification

### LEF-8-SG-COR



- A plastic clamp lever with push button. Female screw type.
- When the lever part is pulled up for position adjustment, the force is easily transmitted to help the operation if a push button is available.
- A serration ring made of zinc die cast is inserted into the lever body made of plastic. They also realize sufficient strength for fitting with metal thread serration.
- A rich variety of thread sizes from M3 to M10 are available.
- There are two types of thread part materials:
  - LEF-C ————— Made of steel
  - LEFS-C ————— Made of stainless steel
- Three color variations for the lever part and three for the push button are available. Each color can be selected by the symbol of the part number.
- Color variations of the lever part

Symbol ◀2	Lever Part Color
BK	Matte black
SG	Matte silver
OR	Matte orange

## Operation Button Color Variations

Symbol ◀3	Operation Button Color
CBK	Matte black
CSG	Matte silver
COR	Matte orange

Unit : mm

LEF-C Steel		LEFS-C Stainless steel		Common dimensions												
Part Number ◀1	Lf min.	Part Number ◀1	Lf min.	M (Coarse)		R	H	H'	h	s	D	d	Number of Teeth	Max.*1 load (N)	Max.*1 clamping force (kN)	Mass (g)
				Nominal of Thread	Pitch											
LEF-3-C	7	LEFS-3-C	7	M3	0.5	45	35.5	39	24	4.2	13	10	18	9	0.95	14
LEF-4-C	9	LEFS-4-C	8	M4	0.7	45	35.5	39	24	4.2	13	10	18	21	1.7	14
LEF-5-C	9	LEFS-5-C	8	M5	0.8	45	35.5	39	24	4.2	13	10	18	42	2.7	13
LEF-6-C	9	LEFS-6-C	8	M6	1	45	35.5	39	24	4.2	13	10	18	70	3.8	12
LEF-6B-C	11	LEFS-6B-C	11	M6	1	63	46.3	50.3	31	6.5	17.5	13.5	24	50	3.8	32
LEF-8-C	11	LEFS-8-C	11	M8	1.25	63	46.3	50.3	31	6.5	17.5	13.5	24	120	7	30
LEF-8B-C	14	LEFS-8B-C	14	M8	1.25	78	55.4	59.4	36	8	21	16	26	100	7	52
LEF-10-C	14	LEFS-10-C	14	M10	1.5	78	55.4	59.4	36	8	21	16	26	200	11	48

\*1: About the definition of max. load / max. clamping force → P.xxxx

Cleanroom Wash & Packaging → P.xxxx	Screw Combination → P.xxxx	Screw Length Adjustment → P.xxxx	Vibration Resistant → P.xxxx	Laser Marking → P.xxxx
Not Available	Available / Add'l charge	Not Available	Not Available	Available / Add'l charge