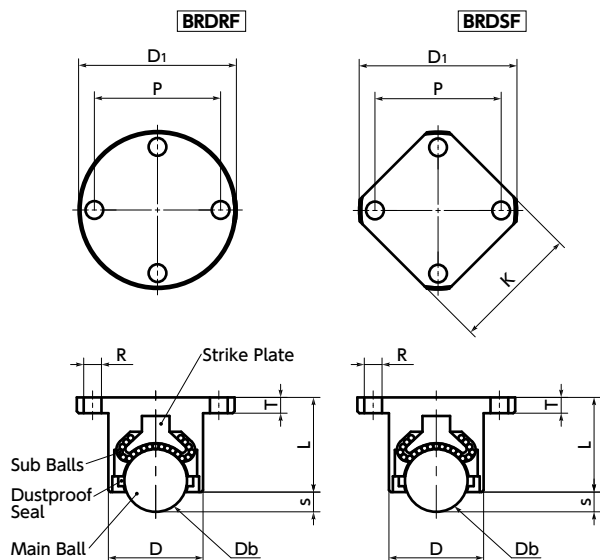


BRDRF/BRDSF Downward Ball Rollers - Flange Type (Round/Square)



- These ball rollers can be used in downward and sideward applications such as with casters of push carts for transport.
- The dustproof seal prevents the ingress of dirt and dust.
- The body, main ball, and sub-balls are made of steel. These rollers have excellent durability.
- Application

FPD production equipment, semiconductor devices, food production lines, and packaging lines

Material/Finish



	BRDRF	BRDSF
Main Body	S45C Electroless Nickel Plating	S45C Electroless Nickel Plating
Main Ball	SUJ2 (Hardness 55HRC or Higher)	SUJ2 (Hardness 55HRC or Higher)
Sub Ball	SUJ2 (Hardness 55HRC or Higher)	SUJ2 (Hardness 55HRC or Higher)
Strike Plate	SCM415 (Hardness 50 HRC or Higher)	SCM415 (Hardness 50 HRC or Higher)
Dustproof Seal	Felt	Felt

BRDRF Round Flange Type

Unit : mm

Part Number	D1	D	L	s	T	Db	P	R	Withstand Load (N)	Mass (g)
BRDRF-40	40	24	24	5	4	15.88	32	4.5	900	104
BRDRF-50	50	30	28	6	5	19.05	40	5.5	1100	191
BRDRF-60	60	38	37	8	6	25.4	49	6.5	1200	386

BRDSF Square Flange Type

Unit : mm

Part Number	D1	D	K	L	s	T	Db	P	R	Withstand Load (N)	Mass (g)
BRDSF-40	40	24	32	24	5	4	15.88	32	4.5	900	96
BRDSF-50	50	30	40	28	6	5	19.05	40	5.5	1100	174
BRDSF-60	60	38	48	37	8	6	25.4	49	6.5	1200	358

Part number specification

BRDRF-50

Product Code | D1

Individual Sales → P.xxxx 1 piece in 1 pack	Cleanroom Wash & Packaging → P.xxxx Not Available	Screw Length Adjustment → P.xxxx Not Available	Vibration Resistant → P.xxxx Not Available
--	--	---	---