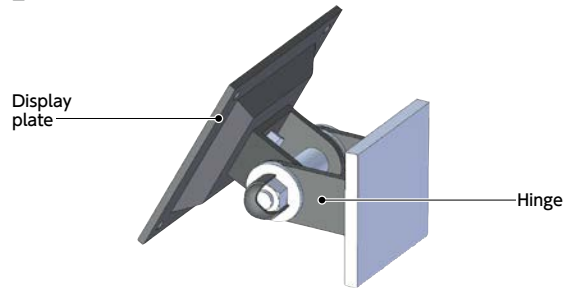


Structure



● Material/Finish



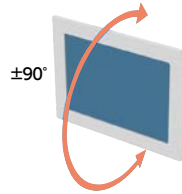
	DFS-AF	DFS-AA DFS-PB	DFSN-AF	DFSN-AA DFSN-PB
Display Plate	SPHC Electrostatic Coating			
Hinge	SPCC Electrostatic Coating			
Clamp Lever	Nylon 6			
Hex Nut	-		S45C Trivalent Chromate Treatment	
Fixing Plate	SS400 Electrostatic Coating		SS400 Electrostatic Coating	
Bracket	A6063 Anodized		A6063 Anodized	

● Max. load weight

Product code	Max. load weight(kg)
DFS	6
DFSN	10



● The display can be tilted by $\pm 90^\circ$ to the single axis direction.



● By tightening the clamp lever or hex nut, securely retain the angle after adjustment. **1**

Clamp lever type—**DFS**
Hex nut type—**DFSN**

● Three types of Mounting System for Display® are available for different types of mounting surfaces. **3**

For aluminum frame /
For wall panel and sheet metal—**DFS*-AF**
For aluminum frame end surface mounting—**DFS*-AA**
For Round Pipe—**DFS*-PB**

● Application

Machine tool / Medical equipment / FPD production device / Semiconductor manufacturing device / Packing machine / Food machinery

● Part number specification

DFS N-75-AA-40

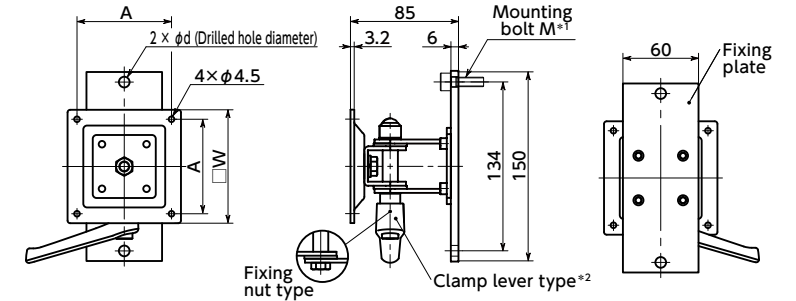
Product Code **1** **2** **3** **4**

Example of part number: DFS-100-AF-M8 / DFSN-75-PB-40

● For aluminum frame / For wall panel and sheet metal

DFS-AF

DFSN-AF



*1: Mounting bolts are not supplied.
*2: The clamp lever setscrews for the clamp lever type **DFS** have been changed from hex sockets to hexalobular sockets.

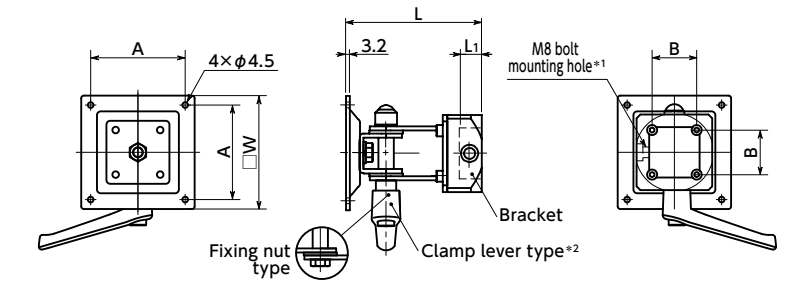
Part Number	Part Number	A 2	M(d) 4	W	Mass (g)
DFS-75-AF-**	DFSN-75-AF-**	75	M4 (5) M5 (6) M6 (7) M8 (9)	90	890 - 930
DFS-100-AF-**	DFSN-100-AF-**	100	M4 (5) M5 (6) M6 (7) M8 (9)	115	990 - 1030

Unit : mm

● For aluminum frame end surface mounting

DFS-AA

DFSN-AA



*1: Hex socket low head bolts (M8 × 16 mm) are provided.
*2: The clamp lever setscrews for the clamp lever type **DFS** have been changed from hex sockets to hexalobular sockets.

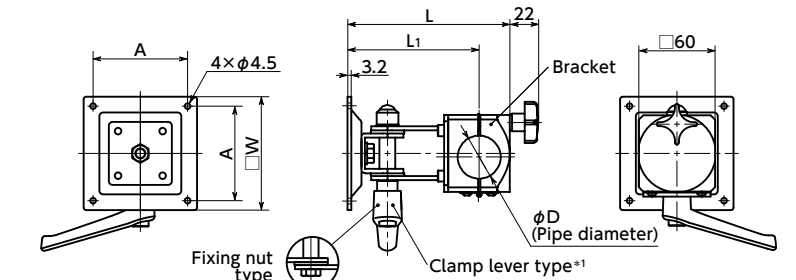
Part Number	Part Number	A 2	B 4	W	L ₁	L	Mass (g)
DFS-75-AA-40	DFSN-75-AA-40	75	40	90	17	106	680 - 720
DFS-100-AA-40	DFSN-100-AA-40	100	40	115	17	106	780 - 820

Unit : mm

● For Round Pipe

DFS-PB

DFSN-PB



*1: The clamp lever setscrews for the clamp lever type **DFS** have been changed from hex sockets to hexalobular sockets.

Part Number	Part Number	A 2	D 4	W	L ₁	L	Mass (g)		
DFS-75-PB-**	DFSN-75-PB-**	75	28	30	34	90	103	127	800 - 870
			40	42.7		90	107	135	790 - 860
DFS-100-PB-**	DFSN-100-PB-**	100	28	30	34	115	103	127	900 - 970
			40	42.7		115	107	135	890 - 960

Unit : mm

● Fixing rubber sheet is attached.