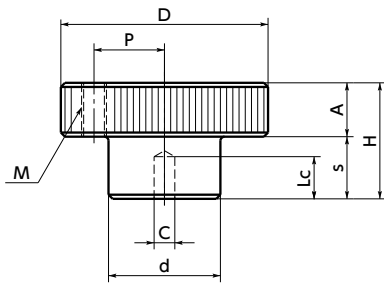
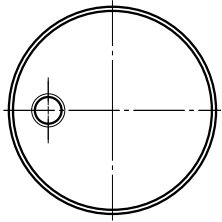
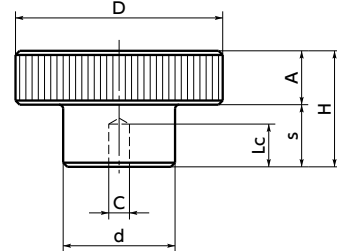
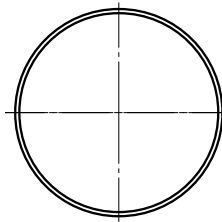


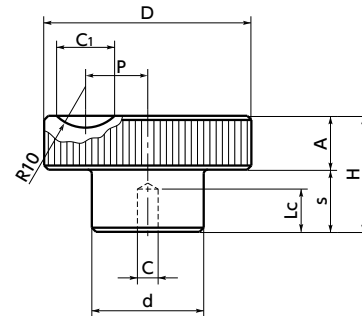
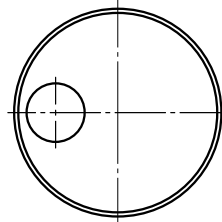
**HAK**  
With pilot hole and grip mounting hole



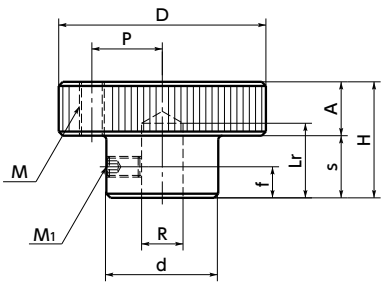
**HAK-N**  
With pilot hole and without grip mounting hole



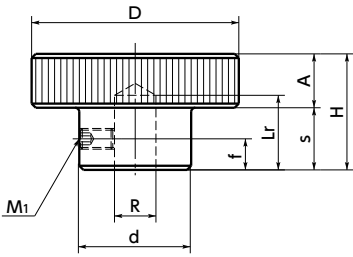
**HAK-FH**  
With pilot hole and finger hole



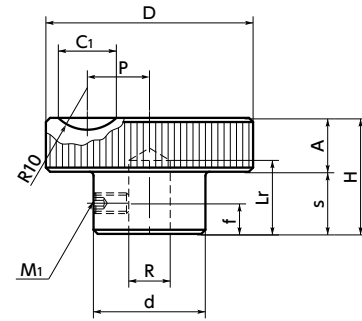
**HAK-R**  
With reamer bore and grip mounting hole



**HAK-R-N**  
With reamer bore and without grip mounting hole



**HAK-R-FH**  
With reamer bore and finger hole



- Mini handwheel made of aluminum alloy
- Bore type and with / without grip mounting hole and finger hole can be selected by a product code.

Product Code	3 Bore Type	Grip Mounting Hole	Finger Hole
<b>HAK</b>	Pilot Hole	Yes	No
<b>HAK-N</b>	Pilot Hole	No	No
<b>HAK-FH</b>	Pilot Hole	No	Yes
<b>HAK-R</b>	Reamer Bore	Yes	No
<b>HAK-R-N</b>	Reamer Bore	No	No
<b>HAK-R-FH</b>	Reamer Bore	No	Yes

- There are two color variations. They can be selected by the end symbol of the part number. **4**  
 No end symbol — Black  
 End Symbol **SG** — Silver gray
- There is no grip supplied with this product. Order a grip separately. → P.xxxx

	<b>HAK</b>
Main body	A5056 Anodized (Various Color)

- Part number specification

<b>HAK-40-N-SG</b> (If the bore type is for pilot hole)
Product Code: <b>1</b> <b>3</b> <b>4</b>
<b>HAK-40-R 8-FH-SG</b> (If the bore type is for reamer bore)
Product Code: <b>1</b> <b>3</b> <b>2</b> <b>3</b> <b>4</b>

**HAK** With pilot hole and grip mounting hole **HAK-N** With pilot hole and without grip mounting hole Unit : mm

Part Number With grip mounting holes	M (Coarse)			Part Number Without grip mounting holes	D <b>1</b>	H	A	s	d	C	Lc	Mass (g)
	Nominal of Thread	Pitch	P									
<b>HAK-40</b>	M6	1	14.5	<b>HAK-40-N</b>	40	25	12	13	22	5	15	50
<b>HAK-50</b>	M6	1	17	<b>HAK-50-N</b>	50	28	13	15	27	5	15	87
<b>HAK-63</b>	M6	1	23	<b>HAK-63-N</b>	63	32	14	18	35	5	15	161
<b>HAK-80</b>	M6	1	30	<b>HAK-80-N</b>	80	40	15	25	45	5	15	299

**HAK-R** With reamer bore and grip mounting hole **HAK-R-N** With reamer bore and without grip mounting hole Unit : mm

Part Number With grip mounting holes	M (Coarse)			Part Number Without grip mounting holes	D <b>1</b>	H	A	s	d	R <b>2</b>	Lr	f	M (Coarse)		Mass (g)
	Nominal of Thread	Pitch	P										Nominal of Thread	Pitch	
<b>HAK-40-R8</b>	M6	1	14.5	<b>HAK-40-R8-N</b>	40	25	12	13	22	8	15	6.5	M5	0.8	45
<b>HAK-50-R10</b>	M6	1	17	<b>HAK-50-R10-N</b>	50	28	13	15	27	10	18	7.5	M5	0.8	77
<b>HAK-63-R12</b>	M6	1	23	<b>HAK-63-R12-N</b>	63	32	14	18	35	12	22	9	M5	0.8	146
<b>HAK-80-R16</b>	M6	1	30	<b>HAK-80-R16-N</b>	80	40	15	25	45	16	28	12.5	M6	1	264

\*1 : Hex socket set screw is provided.

**HAK-FH** With pilot hole / finger hole Unit : mm

Part Number With finger hole	D <b>1</b>	H	A	s	d	C	Lc	P	C1	Mass (g)
<b>HAK-40-FH</b>	40	25	12	13	22	5	15	10.5	14	49
<b>HAK-50-FH</b>	50	28	13	15	27	5	15	15	14	86
<b>HAK-63-FH</b>	63	32	14	18	35	5	15	21	14	159

**HAK-R-FH** With reamer bore / finger hole Unit : mm

Part Number With finger hole	D <b>1</b>	H	A	s	d	R <b>2</b>	Lr	M1 (Coarse)		f	P	C1	Mass (g)
								Nominal of Thread	Pitch				
<b>HAK-40-R8-FH</b>	40	25	12	13	22	8	15	M5	0.8	6.5	10.5	14	44
<b>HAK-50-R10-FH</b>	50	28	13	15	27	10	18	M5	0.8	7.5	15	14	76
<b>HAK-63-R12-FH</b>	63	32	14	18	35	12	22	M5	0.8	9	21	14	144

\*1 : Hex socket set screw is provided.

Cleanroom Wash & Packaging → P.xxxx	Vibration Resistant → P.xxxx	Laser Marking → P.xxxx	Modification of Shaft Hole Diameter → P.xxxx
Please feel free to contact us	Not Available	Available / Add'l charge	Please feel free to contact us