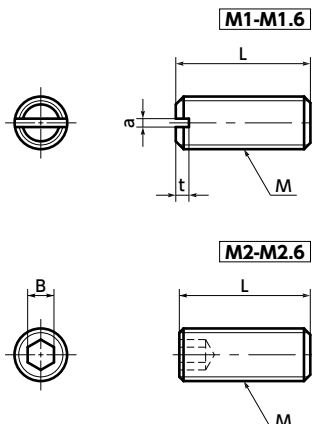


SNTS Set Screws for Precision Instruments



Miniature Size **SUS** Stainless steel



- Miniature screws for precision instruments in sizes from M1 to M2.6.
- Set screws with flat point.
- Application

Reducing the size of equipment and devices
Compact precision instruments

- Material/Finish



	M1-M1.6	M2-M2.6
Main Body	Stainless Steel	SUSXM7 (Equivalent to SUS304)

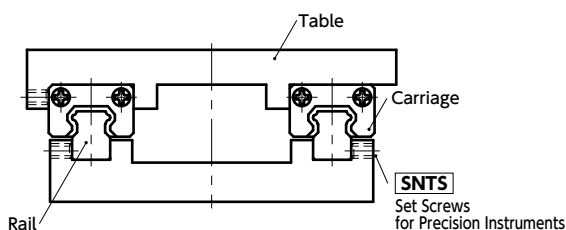
Unit : mm

Part Number	M (Coarse)		L	a	t	B	Max. Torque (N·m)	Mass (g)	Qty per Pack
	Nominal of Thread 1	Pitch							
SNTS-M1-FP	M1	0.25	3 4 5 6	0.35	0.35	0.003	0.012 - 0.023	10	
SNTS-M1.4-FP	M1.4	0.3	3 4 5 6	0.4	0.45	0.02	0.022 - 0.049	10	
SNTS-M1.6-FP	M1.6	0.35	3 4 5 6	0.4	0.5	0.03	0.029 - 0.062	10	
SNTS-M2-FP	M2	0.4	3 4 5 6			0.9 0.2	0.041 - 0.092	10	
SNTS-M2.5-FP	M2.5	0.45	4 5 6			1.3 0.4	0.055 - 0.13	10	
SNTS-M2.6-FP	M2.6	0.45	4 5 6			1.3 0.4	0.094 - 0.13	10	

• When purchasing less volume than one full bag, a separate handling fee is charged. For details, see the Sold Separately Service.

- Usage example

To locate and fix miniature linear guideway rails and tables.



- Part number specification

SNTS-M2-3-FP

Product Code	1	2	Product Code
--------------	----------	----------	--------------

1 Individual Sales → P.0000	2 Cleanroom Wash & Packaging → P.0000	3 Screw Length Adjustment → P.0000	4 Vibration Resistant → P.0000	5 Modification process for captive use → P.0000
Available / Add'l charge	Available / Add'l charge	Not Available	Available / Add'l charge	Not Available