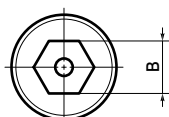
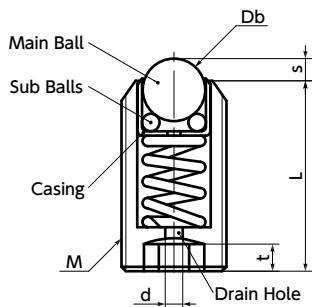




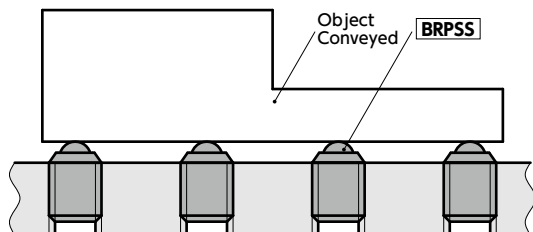
BRPSS Ball Rollers with Spring Plunger Function

SUS Stainless steel



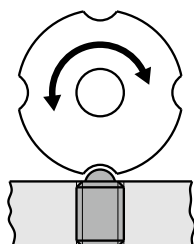
● Usage example

When there is unbalanced weight.



For indexing, etc.

Use as a spring plunger.



- These are set screw type ball rollers with spring plunger function.
- Their internal springs receive loads evenly even when the load is unbalanced.
- These rollers can also be used as a general spring plunger with ball for fixing and locating workpiece. The smooth rotation of the ball reduces friction between the main ball and receiving side.

BRPSS-S ————— All Stainless Steel

BRPSS-N ————— Main Ball : Polyacetal

- These ball rollers have drain holes and are intended for food production lines and other applications that require cleaning.

● Application

FPD production equipment, semiconductor devices, food production lines, and packaging lines

● Material/Finish



	BRPSS-S	BRPSS-N
Main Body	SUSXM7 (S.S. Grade : A2)	SUSXM7 (S.S. Grade : A2)
Main Ball	SUS440C (Hardness 55HRC or Higher)	Polyacetal/White
Sub Ball	SUS440C (Hardness 55HRC or Higher)	SUS440C (Hardness 55HRC or Higher)
Casing	SUS304	SUS304
Spring	SUS631J1	SUS631J1

● Part number specification

BRPSS-12-N

Product Code M Main Ball : "S" or "N"

BRPSS-S BRPSS-N

Unit : mm

Part Number	Part Number	Common Dimensions		L	s	Db	B	t	d	Load (N) Min./Max.	Mass (g)
		M (Coarse) Nominal of Thread	Pitch								
BRPSS-5-S	BRPSS-5-N	M5	0.8	12	0.7	2.38	2.5	2	1.2	4.4 / 19.6	0.94
BRPSS-6-S	BRPSS-6-N	M6	1	13	0.8	3	3	2.5	1.5	8.1 / 29.6	1.4
BRPSS-8-S	BRPSS-8-N	M8	1.25	15	1.3	4	4	2.5	2	12.6 / 39.8	3.1
BRPSS-10-S	BRPSS-10-N	M10	1.5	16	1.6	5	5	3	2.5	13.5 / 44.4	5.3
BRPSS-12-S	BRPSS-12-N	M12	1.75	20	2.3	7.14	6	3	3	16.1 / 46.9	9.3
BRPSS-16-S	BRPSS-16-N	M16	2	25	3.1	9.53	8	3	4	26.1 / 88.2	22

Individual Sales → P.xxxx

Cleanroom Wash & Packaging → P.xxxx

Screw Length Adjustment → P.xxxx

Vibration Resistant → P.xxxx

1 piece in 1 pack

Please feel free to contact us

Not Available

Not Available