

● Material/Finish

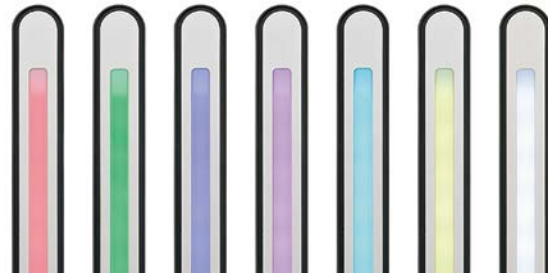


	UPIF-KSL
Main Body	Glass Fiber Reinforced Nylon 6 Aluminum Alloy
Key Switch	Zinc Alloy Chrome Plating
Key	Zinc Alloy Chrome Plating
Cover	Aluminum Alloy Anodized (Various Colors)
LED Illuminating Part	Acrylic Resin
Thread Part	Steel Trivalent Chromate Treatment
Cable	PVC

Part Number	Max. Allowable Load*1 (N)	Mass (g)
UPIF-KSL-BK	500	344
UPIF-KSL-BL	500	344
UPIF-KSL-SG	500	344

*1: Allowed load for a person.

- Plastic pulls combining key switches and LEDs. Reduces design and installation trouble.
- The key switch can be used for contact switching, device and equipment control, etc.
- LED illuminated part enables confirmation of device and equipment status.
- Through a combination of three luminescent colors (red/green/blue), the LED illuminating part emits up to seven colors.



● Depending on the computer and monitor environment in use, the image color may appear different. Please take note.

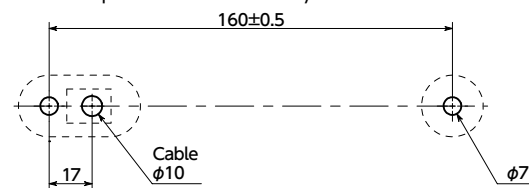
- Cover colors can be selected by the end symbol of the part number.

End Symbol	Cover Color
BK	Anodized (Black)
BL	Anodized (Blue*1)
SG	Anodized (Silver)

*1: Due to the use of colored anodizing, color fluctuations may appear.

● Mounting Hole

To prevent cable damage, be sure there are no burrs in the mounting hole. Errors may appear in the mounting dimensions due to temperature or humidity.

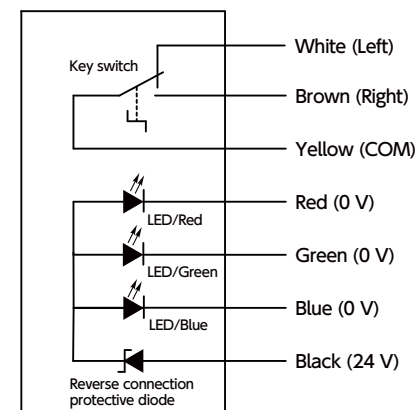


● Specifications

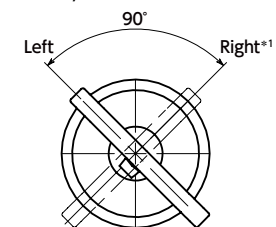
Key Switch	Contact Type	c Contact (1NO1NC)
	Notch Specifications	90°·2 Notches Each Position Stopped (Manual)
	Rated Insulation Voltage	24 VDC
	Rated Conduction Current	3A
	Mechanical Life	Approx. 30,000 Times
	Electrical Life	Approx. 10,000 Times
LED*1	Supplied Items	2 Keys (Common to All Products)
	Luminescent Color	Red/Green/Blue
	Activation Voltage	24 VDC ± 10%
	Current Consumption	Each Color 20 mA (Max. 60 mA)
	Type	Fixing Cable
	Outside Diameter	6.1mm ± 0.2 mm
	No. of Cores	7C
Cable	Conductor Size	0.3mm ²
	Length	2m
	Bending Radius	37mm or more
	Cable End Specifications	Discrete Wire
Operating Environment	Temperature	-10°C to 50°C (no freezing)
	Humidity	45% RH to 85% RH (no condensation)

*1: The reference lifetime is approximately 40,000 hours. (when used in a 25°C environment with one color lit)

● Connection



● Key Removal Position



*1: The key cannot be removed at the "Right" position.

● Part Number Specification

UPIF-KSL-BK



Countries and regions where available: Japan, US, Canada, Mexico, China, South Korea, Taiwan