

● Material/Finish

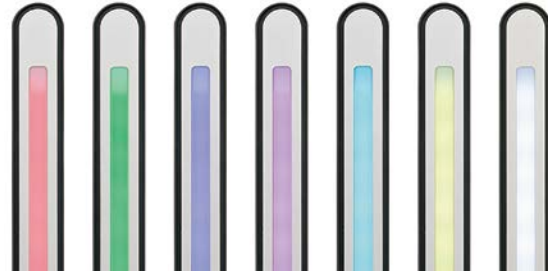


	UPIF-PSL
Main Body	Glass Fiber Reinforced Nylon 6 Aluminum Alloy
Push-Button Switch	Polycarbonate
Cover	Aluminum Alloy Anodized (Various Colors)
LED Illuminating Part	Acrylic Resin
Thread Part	Steel Trivalent Chromate Treatment
Cable	PVC

Part Number	Max. Allowable Load*1 (N)	Mass (g)
UPIF-PSL-BK	500	325
UPIF-PSL-BL	500	325
UPIF-PSL-SG	500	325

\*1: Allowed load for a person.

- Plastic pulls combining switches and LEDs. Reduces design and installation trouble.
- The push-button switch can be used for contact switching, device and equipment control, etc.
- LED illuminated part enables confirmation of device and equipment status.
- Through a combination of three luminescent colors (red/green/blue), the LED illuminating part emits up to seven colors.



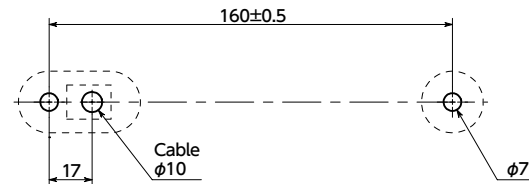
● Depending on the computer and monitor environment in use, the image color may appear different. Please take note.

- Cover colors can be selected by the end symbol of the part number.

End Symbol	Cover Color
<b>BK</b>	Anodized (Black)
<b>BL</b>	Anodized (Blue*1)
<b>SG</b>	Anodized (Silver)

\*1: Due to the use of colored anodizing, color fluctuations may appear.

- Mounting hole  
To prevent cable damage, be sure there are no burrs in the mounting hole.  
Errors may appear in the mounting dimensions due to temperature or humidity.

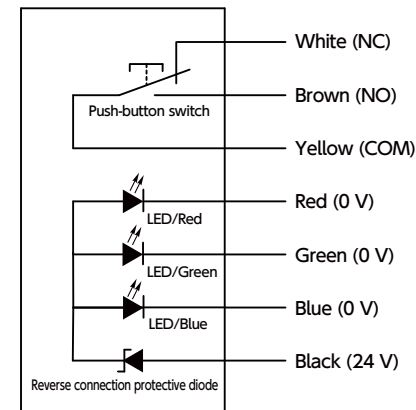


● Specifications

Push-Button Switch	Button Color	Black
	Contact Type	c Contact (1NO1NC)
	Activation Type	Momentary
	Rated Insulation Voltage	DC24V
	Rated Conduction Current	1.0A
	Mechanical Life	Approx. 1 Million Times
	Electrical Life	Approx. 50,000 Times
LED*1	Mechanical Allowable Operation Frequency	Max. 120 Times/min.
	Electrical Allowable Operation Frequency	Max. 20 Times/min.
	Luminescent Color	Red/Green/Blue
	Activation Voltage	24 VDC ± 10%
	Current Consumption	Each Color 20 mA (Max. 60 mA)
	Type	Fixing Cable
	Outside Diameter	6.1 mm ± 0.2 mm
Cable	No. of Cores	7C
	Conductor Size	0.3mm <sup>2</sup>
	Length	2 m
	Bending Radius	37 mm or more
Operating Environment	Cable End Specifications	Discrete wire
	Temperature	-10°C to 50°C (no freezing)
	Humidity	45% RH to 85% RH (no condensation)

\*1: The reference lifetime is approximately 40,000 hours. (when used in a 25°C environment with one color lit)

● Connection



● Part Number Specification

**UPIF-PSL-BK**



Countries and regions where available: Japan, US, Canada, Mexico, China, South Korea, Taiwan